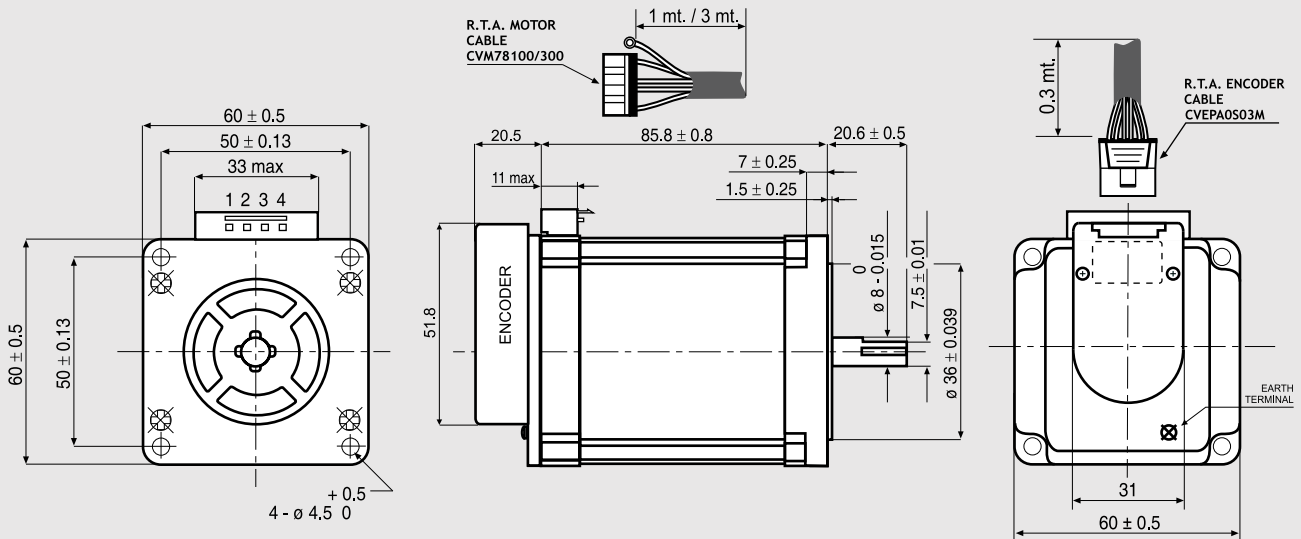


EM 6H2M-04SO

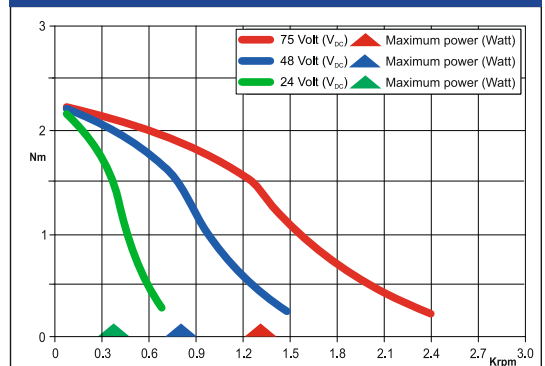
Dimensions (Unit:mm)



SANYO DENKI MOTOR FEATURES

MODEL	EM 6H2M-04SO
SANYO DENKI MOTOR CODE	103-H7823-1714
BASIC STEP ANGLE	1.8° ± 0.09°
BIPOLAR PARALLEL CURRENT (Amp)	4.0
RESISTANCE (Ohm)	0.65
INDUCTANCE (mH)	2.4
BIPOLAR HOLDING TORQUE (Ncm)	300
ROTOR INERTIA (Kgm ² × 10 ⁻⁷)	840
THEORETICAL ACCELERATION (rad × sec. ⁻²)	35700
BACK E.M.F. (V/Krpm)	75
MASS (Kg)	1.5
LEADS CODE	V

TORQUE/SPEED CURVE

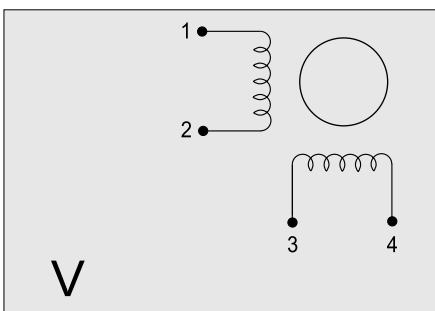


103-H7823-1714 MOTOR NEEDS CVM78/100 OR CVM78/300 R.T.A. CABLES. CONTACT R.T.A. FOR FURTHER DETAILS.

ENCODER FEATURES

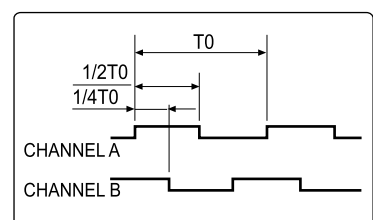
POWER SUPPLY VOLTAGE (Volt)	5 V _{DC} ± 5%
CURRENT CONSUMPTION (mAmp)	50
HIGH LEVEL OUTPUT (Volt)	3.5 (TIP) - 2.4 (MIN) (I _{MAX} =10 mA)
LOW LEVEL OUTPUT (Volt)	0.2 (TIP) - 0.4 (MAX) (I _{MAX} =10 mA)
OUTPUT SIGNAL	Single Ended
RESOLUTION	400 cycles per revolution
MAXIMUM FREQUENCY (KHz)	100

ENCODER NEEDS CVEPA0S03M R.T.A. CABLE. CONTACT R.T.A. FOR FURTHER DETAILS.



PIN CONN. ENCODER	ENCODER
1	GND (0 V)
2	NO CONNECTION
3	CHANNEL A
4	+ DC (5 V)
5	CHANNEL B

ENCODER OUTPUT WAVEFORM



R.T.A. s.r.l.
Via E. Mattei - Fraz- Divisa
27020 Marcignago (PV) (Italy)
T +39.0382.929.855
F +39.0382.929.150
www.rta.it

R.T.A. Deutschland GmbH
Bublitzter Strasse 34, 40599
Duesseldorf (Germany)
T +49.211.749.668.60
F +49.211.749.668.66
www.rta-deutschland.de

R.T.A. IBERICA
C/Generalitat 22, Local 1
08850 Gava - Barcelona (Spain)
T +34 936.388.805
F +34 936.334.595
www.rta-iberica.es

R.T.A. INDIA Pvt
Teerth Business Center 3rd Floor, Unit No. 7,
Block EL-15, MIDC Bhosari Pimpri-Chinchwd,
Pune 411026 (India)
Tel. +91 9422507445
www.rta-india.in