

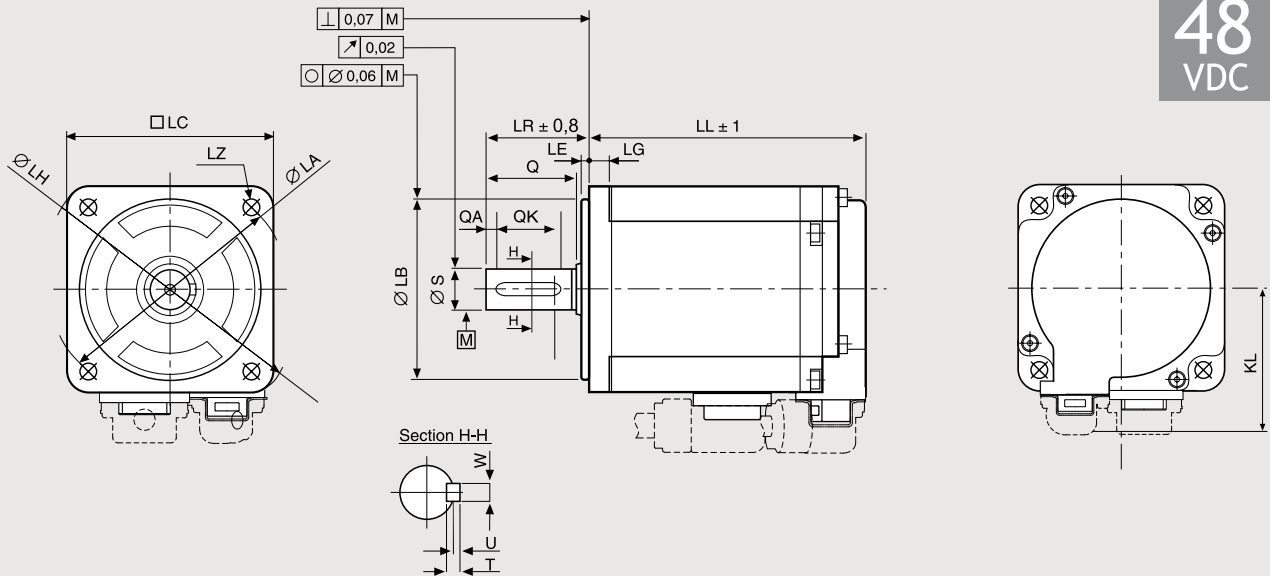
R2GD06010DXH11M

SANYO DENKI
SANMOTION



Dimensions (Unit:mm)

48
VDC

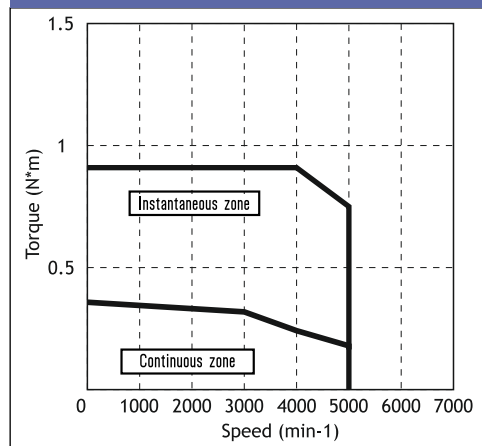


without brake	with brake	LG	KL	LA	LB	LE	LH	LC	LZ	LR	S	Q	QA	QK	W	T	U	QE	LT
LL	LL	6	44.6	70	50-0.025 ⁰	3.0	82	60	4-Ø5.5	25	8-0.009 ⁰	20	2	12	3	3	1,2	-	-

FEATURES

MODEL	R2GD06010DXH11M	
NOMINAL POWER	(W)	100
NOMINAL SPEED	(rpm)	3000
MAXIMUM SPEED	(rpm)	5000
NOMINAL TORQUE	(Nm)	0.318
STALL TORQUE	(Nm)	0.353
MAXIMUM TORQUE	(Nm)	0.84
INERTIA	(Kg*m ²)	0.117*10 ⁻⁴
ENCODER	(imp./rev)	131072 (17 bit)
PROTECTION DEGREE		IP67
WEIGHT	(Kg)	0.59

TORQUE CURVE



R.T.A. s.r.l. PAVIA (ITALY) SANYO DENKI CO.,LTD (JAPAN)

* Protection degree IP67 (except for the shaft hole and the edge of the cable).



Indicated performances refer to motor controlled by related 48 VDC step-dir and EtherCAT servo-amplifiers.

Suggested amplifiers: RF2G21A0A00, RF2K24A0HL5, RS2K04A2HL5



R.T.A. s.r.l.
Via E. Mattei - Fraz. Divisa
27020 Marcignago (PV) (Italy)
T +39.0382.929.855
F +39.0382.929.150
www.rta.it

R.T.A. Deutschland GmbH
Bublitzter Strasse 34, 40599
Duesseldorf (Germany)
T +49.211.749.668.60
F +49.211.749.668.66
www.rta-deutschland.de

R.T.A. IBERICA
C/Generalitat 22, Local 1
08850 Gava - Barcelona (Spain)
T +34 936.388.805
F +34 936.334.595
www.rta-iberica.es

R.T.A. INDIA Pvt
Teerth Business Center 3rd Floor, Unit No. 7,
Block EL-15, MIDC Bhosari Pimpri-Chinchwad,
Pune 411026 (India)
Tel. +91 9422507445
www.rta-india.in