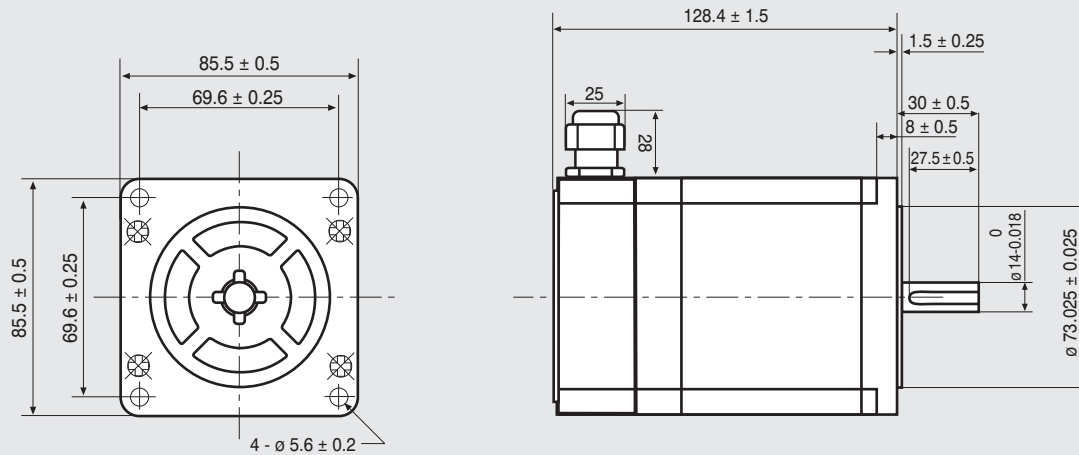


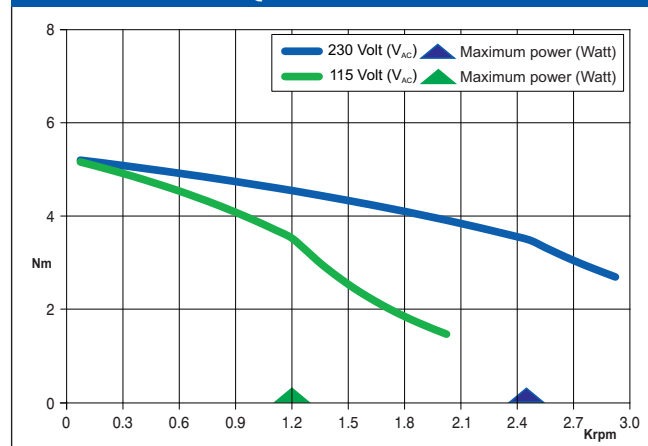
## Dimensions (Unit:mm)



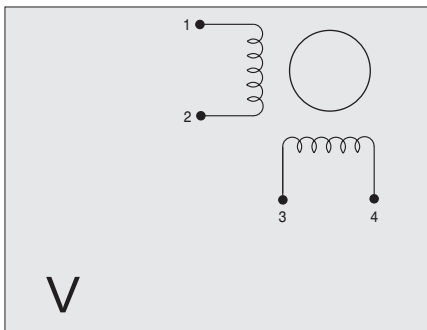
## FEATURES

MODEL	SM 2862-5156
BASIC STEP ANGLE	$1.8^\circ \pm 0.09^\circ$
BIPOLAR CURRENT (Amp)	4.0
RESISTANCE (Ohm)	0.83
INDUCTANCE (mH)	6.4
BIPOLAR HOLDING TORQUE (Ncm)	700
ROTOR INERTIA ( $\text{Kgm}^2 \times 10^{-7}$ )	3000
THEORETICAL ACCELERATION ( $\text{rad} \times \text{sec.}^{-2}$ )	23300
BACK E.M.F. (V/Krpm)	175
MASS (Kg)	2.9
INTERNATIONAL STANDARDS	UL, CSA
INSULATION VOLTAGE (V)	250 V <sub>AC</sub> (350 V <sub>DC</sub> )
PROTECTION DEGREE	IP43-F
LEADS CODE	V

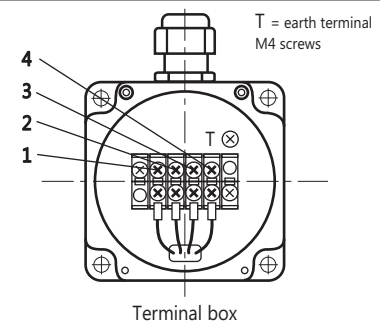
## TORQUE/SPEED CURVE



R.T.A. s.r.l. PAVIA (ITALY) SANYO DENKI CO., Ltd (JAPAN)



V



EMC - 10 - 14

Suggested R.T.A. driver: X-PLUS B Series, X-MIND Series.



R.T.A. s.r.l.  
Via E. Mattei - Fraz. Divisa  
27020 MARCIGNAGO (PV) ITALY  
Tel. +39.0382.929.855 - Fax +39.0382.929.150  
www.rta.it

R.T.A. Deutschland GmbH  
Bublitzer Straße 34  
40599 DÜSSELDORF (Germany)  
Tel. +49.211.749.668.60 - Fax +49.211.749.668.66  
www.rta-deutschland.de

R.T.A. IBERICA-Motion Control Systems S.L.  
C/Generalitat 22, 1° 3°  
08850 GAVA - BARCELONA (Spain)  
Tel. +34.936.388.805 - Fax +34.936.334.595  
www.rta-iberica.es