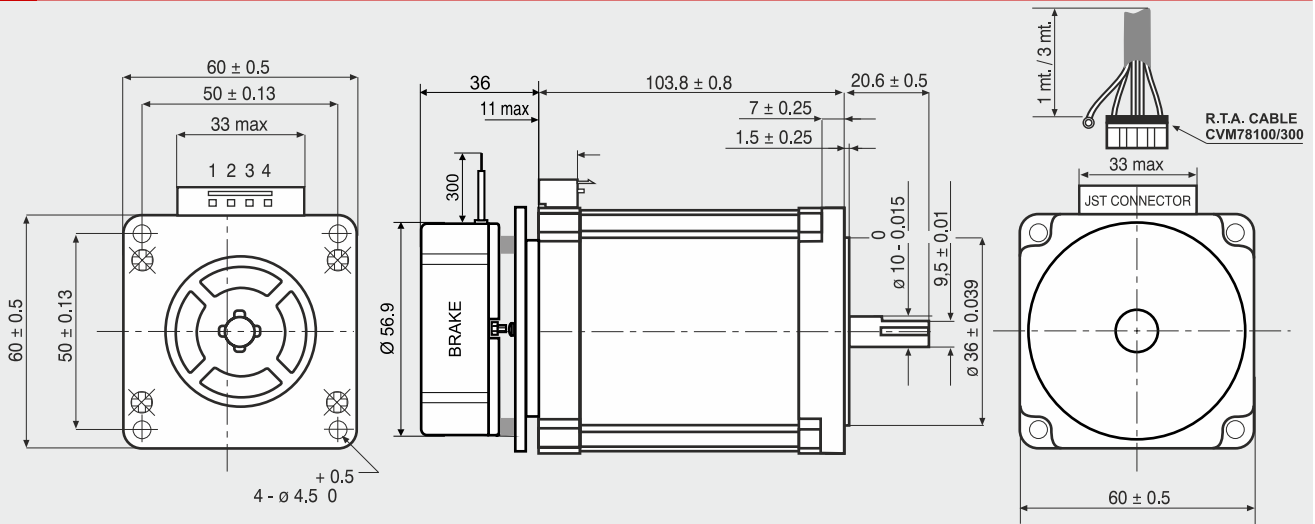


103-H7826-1612.B

SANYO DENKI
SANMOTION

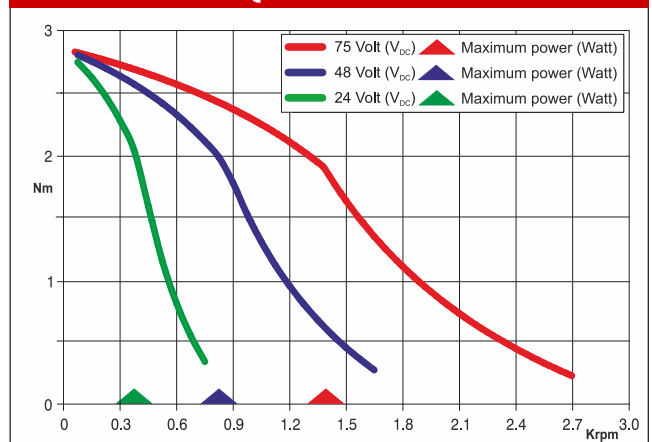
Dimensions (Unit:mm)



FEATURES

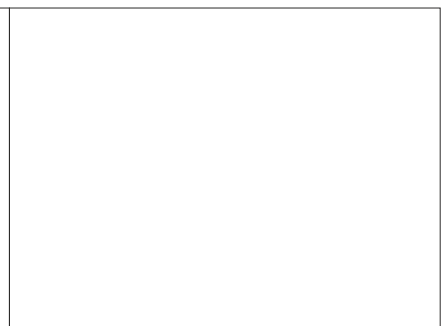
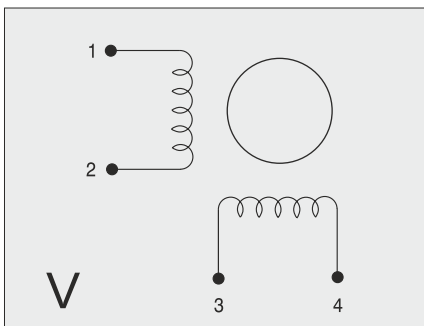
MODEL		103-H7826-1612.B
SANYO DENKI MOTOR CODE		103-H7826-1612
BASIC STEP ANGLE		1.8° ± 0.09°
BIPOLAR CURRENT	(Amp)	6.0
UNIPOLAR CURRENT	(Amp)	
RESISTANCE	(Ohm)	0.43
INDUCTANCE	(mH)	1.45
BIPOLAR HOLDING TORQUE	(Ncm)	380
UNIPOLAR HOLDING TORQUE	(Ncm)	
ROTOR INERTIA	(Kgm ² x 10 ⁻⁷)	1080
THEORETICAL ACCELERATION	(rad x sec. ⁻²)	35200
BACK E.M.F.	(V/Krpm)	70
MASS	(Kg)	1.65
LEADS CODE		V

TORQUE/SPEED CURVE



BRAKE FEATURES

STATIC TORQUE	(Nm)	3.3
DUTY CYCLE		50% max.
VOLTAGE	(Volt)	24 VDC
POWER	(W)	11
RELEASE TIME	(ms)	100



CAUTION

Use for safety related functions is forbidden (EN 60204-1). Moreover, when the application arrangement is in such way that a motor fault or failure could generate a risk for property or human life, external independent safety protection system must be provided in the machine.



R.T.A. s.r.l.
Via E. Mattei - Fraz. Divisa
27020 MARCIGNAGO (PV) ITALY
Tel. +39.0382.929.855
Fax +39.0382.929.150
www.rta.it

R.T.A. Deutschland GmbH
Bublitzer Straße 34
40599 DÜSSELDORF (Germany)
Tel. +49.211.749.668.60
Fax +49.211.749.668.66
www.rta-deutschland.de

R.T.A. IBERICA-Motion Control Systems S.L.
C/Generalitat 22, Local 1.
08850 GAVA - BARCELONA (Spain)
Tel. +34.936.388.805
Fax +34.936.334.595
www.rta-iberica.es

R.T.A India Pvt
Flat n. 201, Wind Residency
Vishal Nagar, D.P. Road, Pimple Nilakh,
411027 Pune (India)
Tel. +91.9422507445
www.rta-india.in