

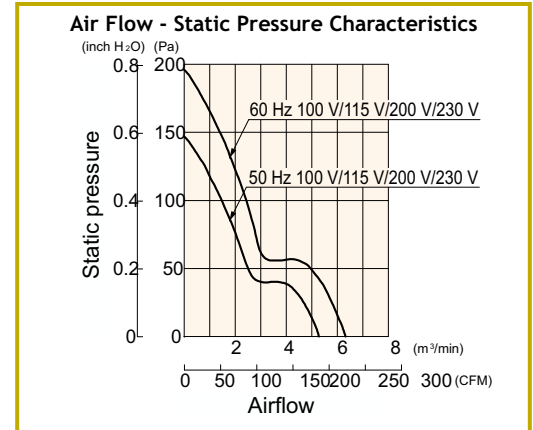
172x51 mm



General Specifications

- **Material:**  
- Frame: Aluminum  
- Impeller: Plastics (Flammability: UL94V-1)
- **Expected Life:** 25,000 h (L10:Survival rate: 90% at 60 °C, rated voltage, and continuously run in a free air state)
- **Storage Temperature:** -30 °C to +70 °C (Non-condensing)
- **Ball bearings**
- **International Standards:** UL/CSA, TÜV, RoHS, CE

Air Flow - Static Pressure Characteristics

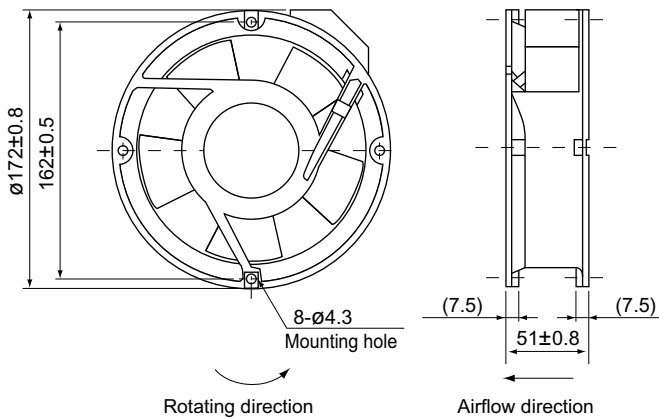


Specifications

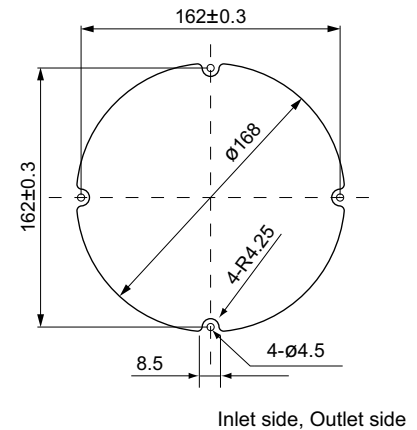
Model No.	Rated Voltage [V]	Frequency [Hz]	Rated Current [A]	Rated Input [W]	Rated Speed [min <sup>-1</sup> ]	Max. Air Flow [m³/min]	Max. Air Flow [CFM]	Max. Static Pressure [Pa]	SPL [dB(A)]	Operating Temperature [°C]	Expected Life [h]	
109-313	230	50/60	0.14/0.11	27/25	2,900/3,500	5.3/6.4	187.3/226.1	147/196	0.59/0.787	47/51	-30 to +70	25,000/60°C

Dimensions (Unit:mm)

Standard



Reference dimension of mounting holes and vent opening (Unit: mm)



Ø 172 mm



- Model always available on stock at R.T.A.
- Also available for online purchasing at [www.rta-store.com](http://www.rta-store.com)

