

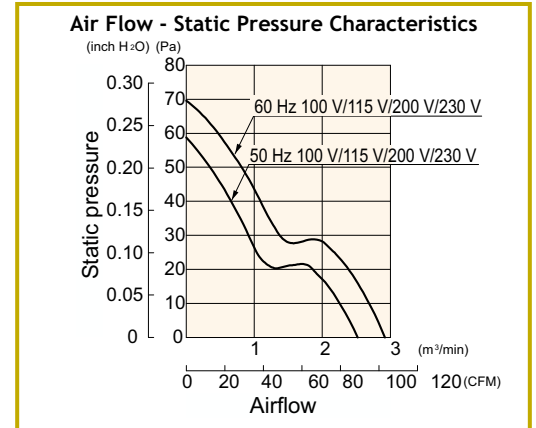
120x120x38 mm



General Specifications

- Material:
  - Frame: Aluminum
  - Impeller: Plastics (Flammability: UL94V-1)
- Expected Life: 25,000 h (L10:Survival rate: 90% at 60 °C, rated voltage, and continuously run in a free air state)
- Storage Temperature: -30 °C to +70 °C (Non-condensing)
- Ball bearings
- International Standards: UL/CSA, TÜV, RoHS, CE

Air Flow - Static Pressure Characteristics

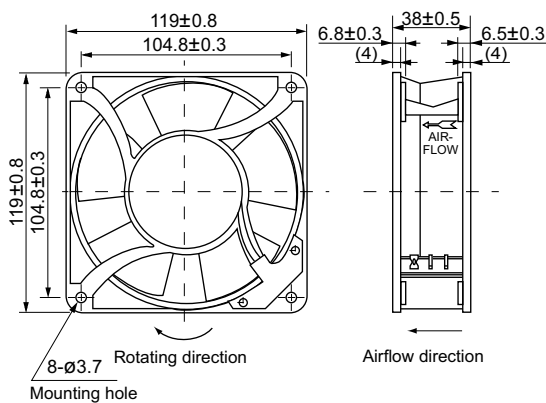


Specifications

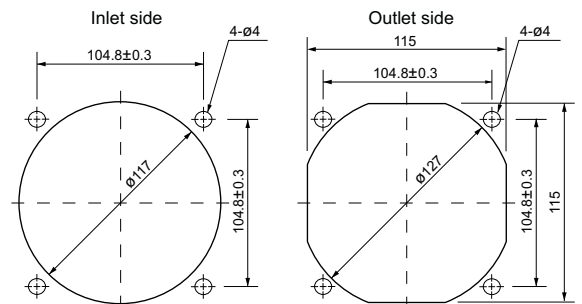
Model No.	Rated Voltage [V]	Frequency [Hz]	Rated Current [A]	Rated Input [W]	Rated Speed [min <sup>-1</sup> ]	Max. Air Flow [m <sup>3</sup> /min] [CFM]	Max. Static Pressure [Pa] [inchH <sub>2</sub> O]	SPL [dB(A)]	Operating Temperature [°C]	Expected Life [h]
109S072-UL	230	50/60	0.11/0.9	18/16	2,700/3,100	2.5/2.9 88./102.5	57.9/68.7 0.233/0.276	42/45	-30 to +60	25,000/60°C

Dimensions (Unit:mm)

Standard



Reference dimension of mounting holes and vent opening (Unit: mm)



120 mm sq.



- Model always available on stock at R.T.A.
- Also available for online purchasing at [www.rta-store.com](http://www.rta-store.com)

