

120x120x38 mm

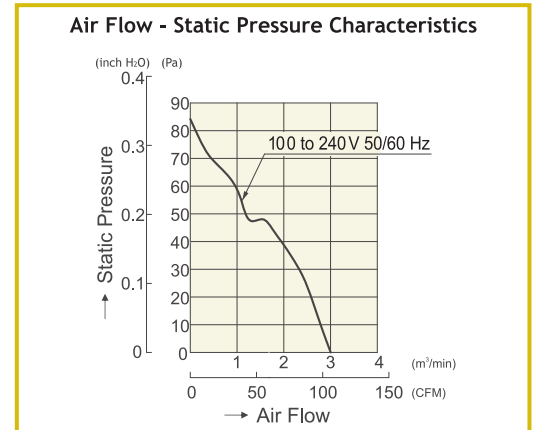
ACDC



General Specifications

- Material:
 - Frame: Plastics
 - Impeller: Plastics
- Expected Life: 60,000 h (L10:Survival rate: 90% at 60 °C, rated voltage, and continuously run in a free air state)
- Motor construction: Brushless DC motors
- Motor Protection System: Burnout protection at locked rotor condition
- Ball bearings
- Dielectric Strength: 50/60 Hz, 1,500 VAC, 1 minute (between power terminal and frame or between lead conductor and frame)
- Insulation Resistance: 10MΩ or more at 500 VDC megger (between lead conductor and frame)
- Storage Temperature: -30 °C to +75 °C (Non-condensing)
- International Standards: CE, UL/CSA, TÜV, RoHS

Air Flow - Static Pressure Characteristics

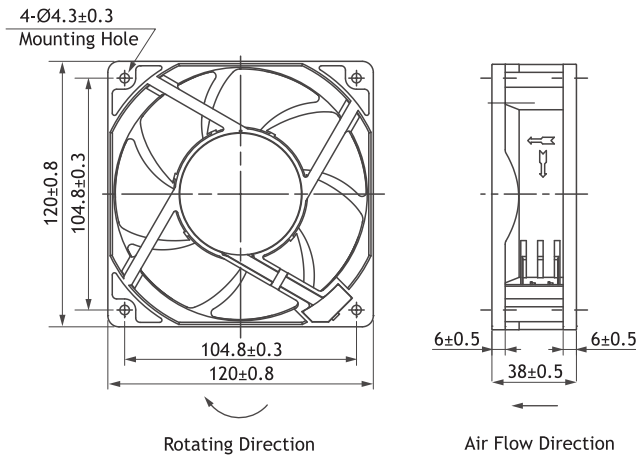


Specifications

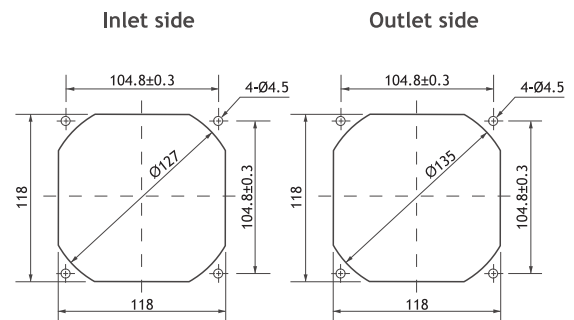
Model No.	Rated Voltage [V]	Operating Voltage Range [V]	Frequency * [Hz]	Rated Current [A]	Rated Input [W]	Rated Speed [min ⁻¹]	Max. Air Flow [m ³ /min] [CFM]	Max. Static Pressure [Pa] [inchH ₂ O]	SPL [dB(A)]	Operating Temperature [°C]	Expected Life [h]
9AD1201H12	100 to 240	90 to 264	50/60	0.08	4.4	3,250	3.0 106 84	0.34	42	-20 to +75	60,000

*NOTE: 50/60 Hz compatible.

Dimensions (Unit:mm)



Reference dimension of mounting holes and vent opening (Unit: mm)



120 mm sq.



- Model always available on stock at R.T.A.
- Also available for online purchasing at www.rta-store.com