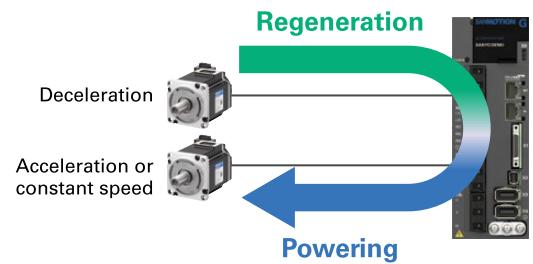


## 2-Axis Integrated AC Servo Amplifier

G SERIES AC SERVOAMPLIFIERS - EtherCAT INTERFACE

### Why one 2-Axis servo amplifier is better than two 1-Axis servo amplifiers

- **Compact & lighter** than 2 servodrives
- **Reduced wiring**
- **Energy savings**  
The regenerative energy generated during the deceleration of one axis can be effectively reused to power the other axis
- Two axes can be **operated in Sync** and with simple commands  
A clever solution
- Two different motor powers can be controlled  
Tailor-made for customer needs



### Main features

- Safe Torque Off (STO) function - SIL3 [Performance Level - PL = E]
- Mode of Operations: Homing Mode, Profile Velocity Mode, Profile Position Mode, Profile Torque Mode, Cycle Sync Position Mode, Cycle Sync Velocity Mode, Cycle Sync Torque Mode
- Axis 1/2 compatible with absolute encoder
- XML file available
- Speed frequency response of 3.5 kHz

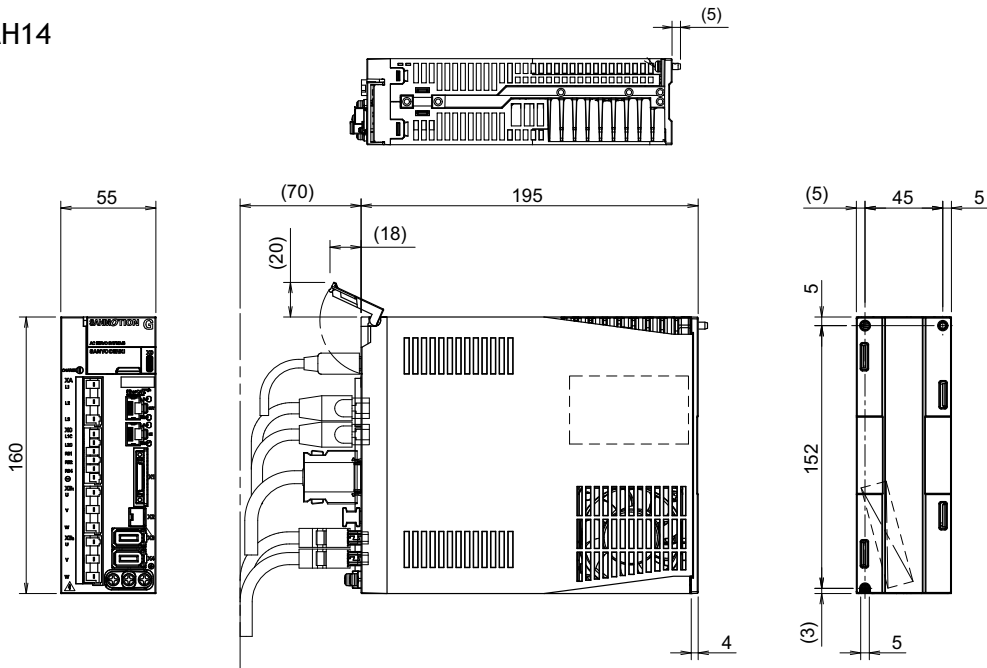
### TECHNICAL DATA

MODEL	GADWA22AH14	GADWA33AH14
CURRENT CAPACITY	20 Amp x 2 axes	30 Amp x 2 axes
MAX COMPATIBLE MOTOR OUTPUT	800 W	1.5 kW
LOGIC POWER SUPPLY	Single-phase from 200VAC to 240 VAC (+10%, -15%) 50/60 Hz (± 3 Hz)	
POWER SUPPLY VOLTAGE	Single-phase or three-phase (configurable by the user) 200VAC or 240 VAC (+10%, -15%) 50/60 Hz (± 3 Hz)	

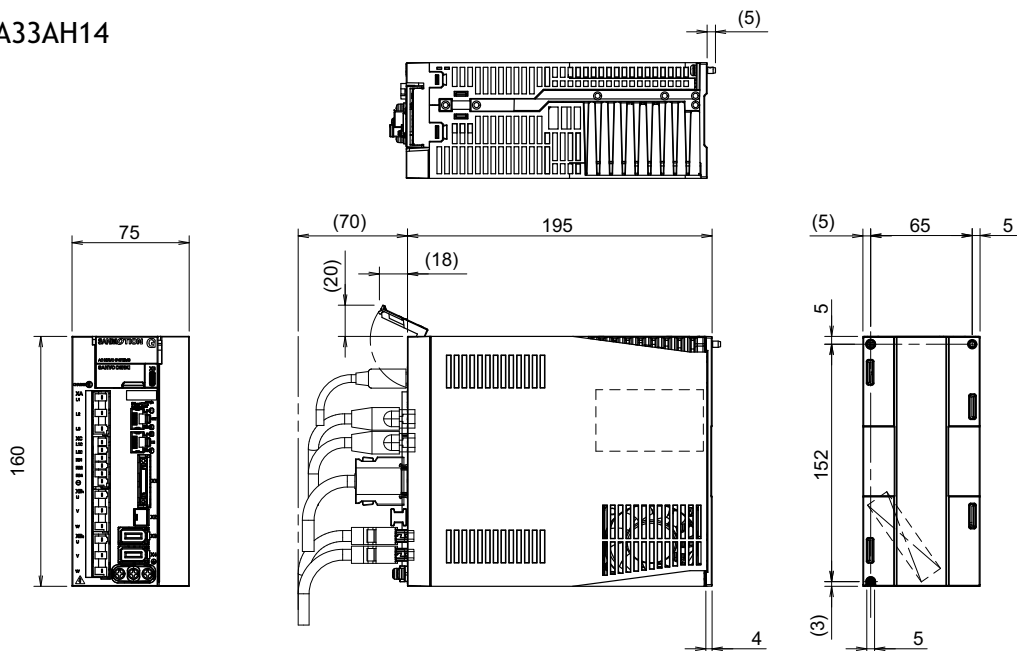
## 2-Axis Integrated AC Servo Amplifier

G SERIES AC SERVOAMPLIFIERS - EtherCAT INTERFACE

GADWA22AH14



GADWA33AH14



Dimensions mm.