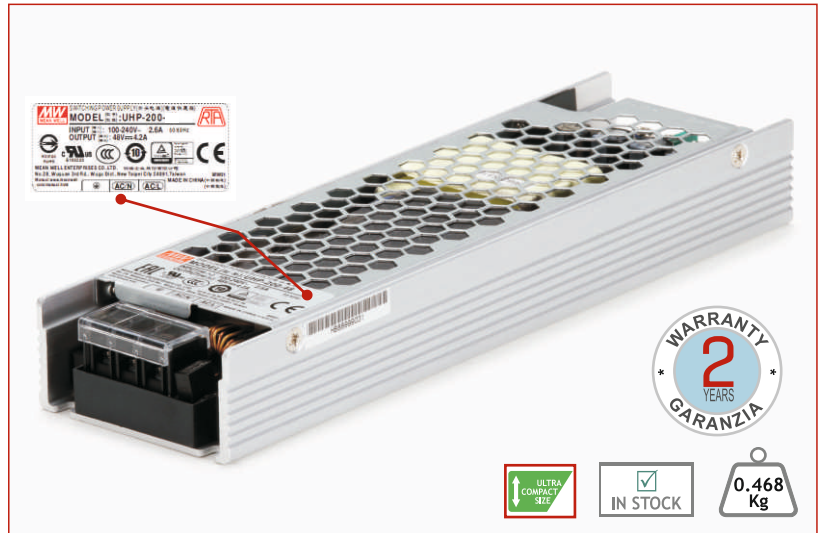


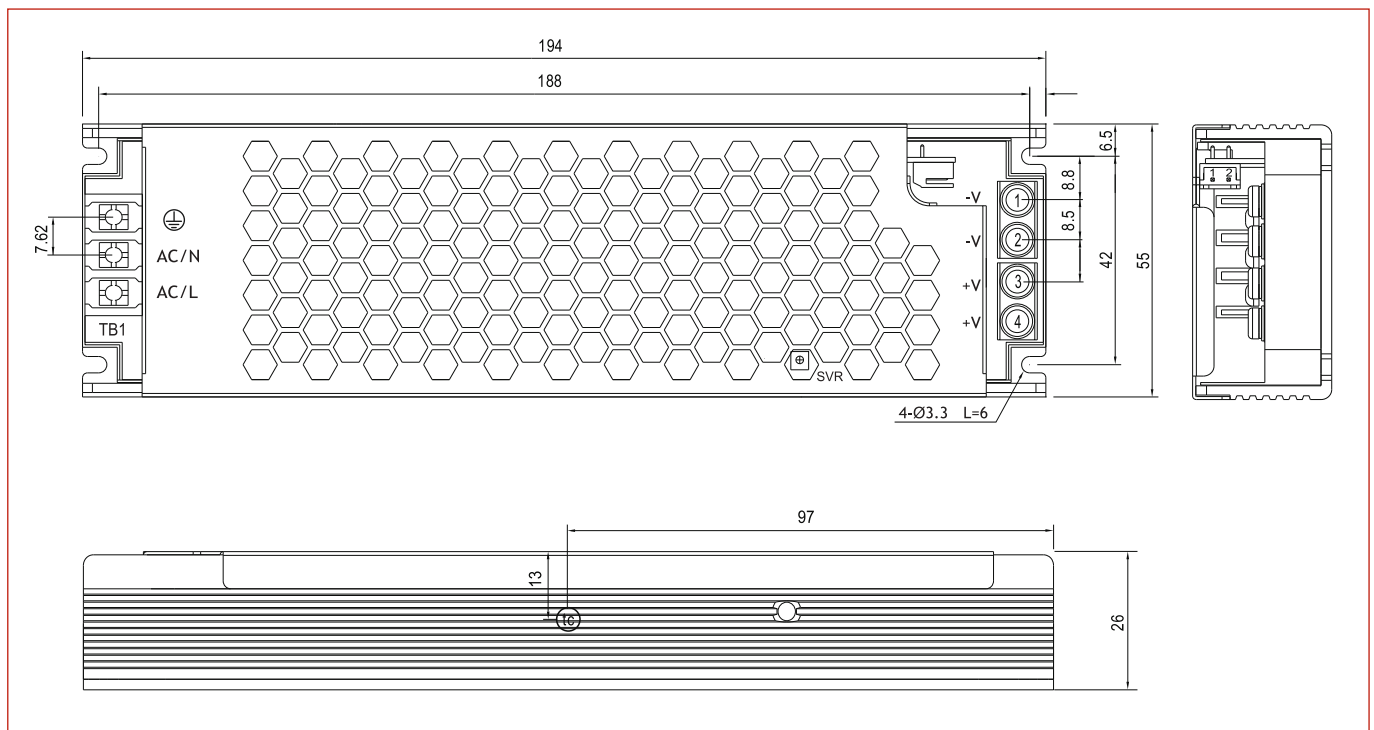
R-UHP 200-XX SWITCHING POWER SUPPLY

Main Features

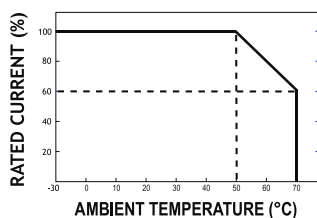
- 16,7A output - 12 VDC
- 8,4A output - 24 VDC
- 4,2A output - 48 VDC
- AC input voltage range: 90~264 VAC
- -30~+70 °C ambient temperature
- Protections: Short Circuit, Overload, Over Voltage, Over Temperature
- V_{DC_OK} signal active
- Led indicator for power on
- Warranty: 24 months



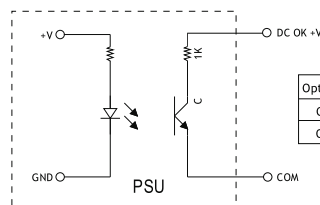
Dimensions (Units:mm)



MORE INFO



DERATING CURVE



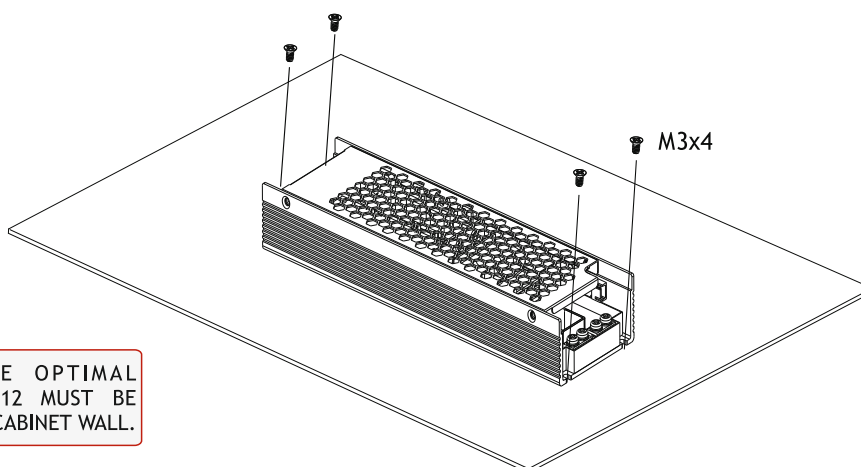
Optocoupler C-E Pin Conduction	PSU turns on	DC ok
Optocoupler C-E Pin Open	PSU turns off	DC fail
Optocoupler Rating(max.)	15Vdc/10mA resistive load	

V_{DC_OK} FUNCTION MANUAL

Specifications

MODEL	R-UHP 200-12	R-UHP 200-24	R-UHP 200-48	
OUTPUT	DC VOLTAGE	12V	24V	48V
	RATED CURRENT	16.7A	8.4A	4.2A
	RATED POWER (convection)	200.4W	201.6W	201.6W
	VOLTAGE ADJ. RANGE	11.4 - 12.6V	22.8 - 25.2 V	45.6-50.4V
	VOLTAGE TOLERANCE Note.3	±1.0%	±1.0%	±1.0%
	LINE REGULATION	±0.3%	±0.3%	±0.3%
	LOAD REGULATION	±0.5%	±0.5%	±0.5%
INPUT	VOLTAGE RANGE Note.3	90 - 264VAC 127 - 370VDC	90 - 264VAC 127 - 370VDC	90 - 264VAC 127 - 370VDC
	FREQUENCY RANGE	47 - 63Hz	47 - 63Hz	47 - 63Hz
	EFFICIENCY	93%	94%	94%
	AC CURRENT (Typ.)	2.2A/115VAC 1.1A/230VAC	2.2A/115VAC 1.1A/230VAC	2.2A/115VAC 1.1A/230VAC
PROTECTION	OVERLOAD	110-140% rated output power Protection type : Hiccup mode, recovers automatically after fault condition is removed		
	OVER VOLTAGE	13.2 - 15.6 V	26.4 - 31.2 V	52.8 - 62.4V
	OVER TEMPERATURE	Protection type :Shut down O/P voltage, re-power on to recover		
FUNCTION	VDC_OK SIGNAL(Optional)	Contact rating(max.):15Vdc/10mA resistive load		
ENVIRONMENT	WORKING TEMP.	-30 ~ +70 (Refer to "Derating Curve")		
	WORKING HUMIDITY	20 ~ 90% RH non-condensing		
	VIBRATION	10 - 500Hz, 5G 10min./1cycle, 60min. each along X, Y, Z axes		
SAFETY STANDARDS	UL60950-1,TUV EN60950-1,EN60335-1,CCC GB4943, EAC TP TC 004 approved, Design refer to EN61558-1,-2-16			
SAFETY & EMC (Note.5)	WITHSTAND VOLTAGE	I/P-O/P:3.75KVAC I/P-FG:2KVAC O/P-FG:1.25KVAC		
	ISOLATION RESISTANCE	I/P-O/P, I/P-FG, O/P-FG:100M Ohms/500VDC/25°C/70%RH		
	EMC EMISSION	Compliance to EN55032,GB9254,Class B, EN55014,EN61000-3-2,-3,EAC TP TC 020		
	EMC IMMUNITY	Compliance to EN61000-4-2,3,4,5,6,8,11;EN61000-6-2 (EN50082-2), heavy industry level ,criterial A, EAC TP TC 020		
OTHERS	MTBF	257K hrs min. MIL-HD 88217F (25 C)		
NOTE	<ol style="list-style-type: none"> All parameters NOT specially mentioned are measured at 230 VAC input, rated load and 25° C ambient temperature. Tolerance: includes set up tolerance, line regulation and load regulation. Please check the derating curve for more details. The ambient temperature derating of 5° C /1000m is needed for operating altitude greater than 2000m (6500ft). The power supply is considered a component which will be installed into a final equipment. The final equipment must be re-confirmed that it still meets EMC directives. 			

Mounting



IN ORDER TO ASSURE OPTIMAL DISSIPATION, R-UHP 200-12 MUST BE INSTALLED ON ELECTRICAL CABINET WALL.