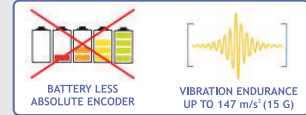
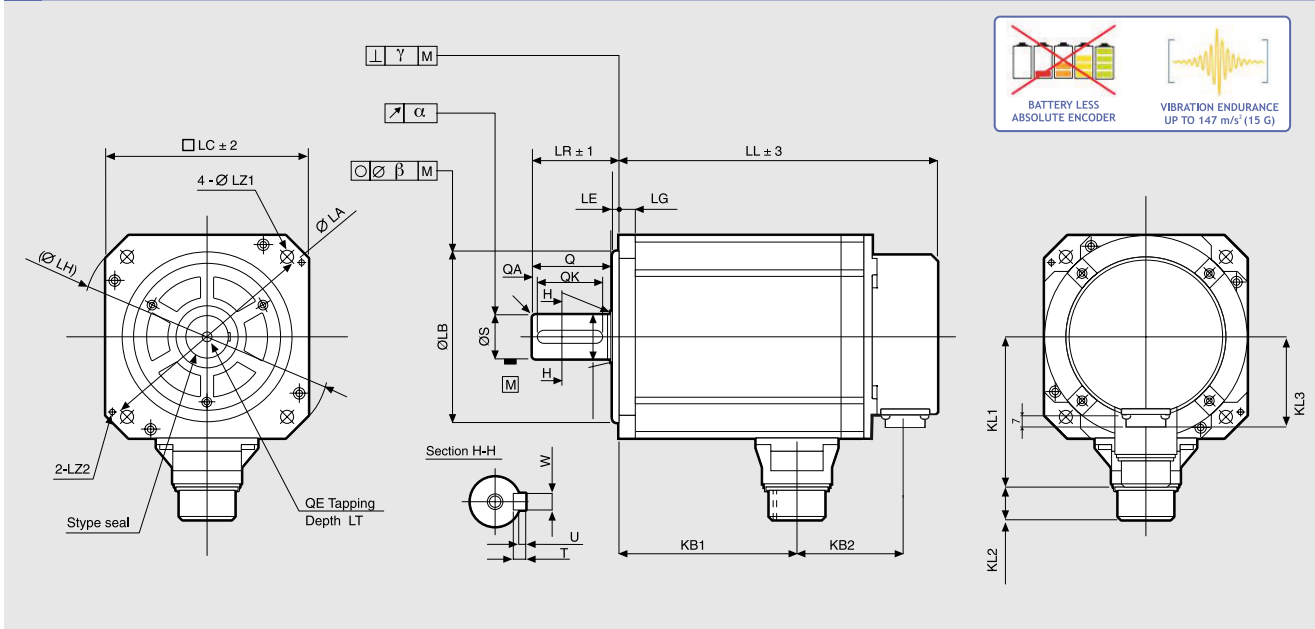


# R1AA13300FXR00M (R1AA13300FCR00M)

SANYO DENKI  
SANMOTION



## Dimensions (Unit:mm)

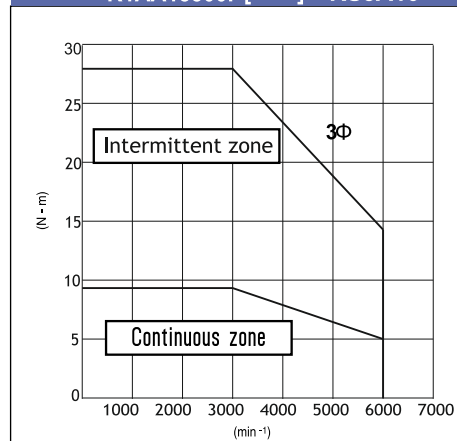


without brake		with brake		KL1	KL2	KL3	LG	LA	LB	LE	LH	LC	LZ1	LZ2	LR	S	Q	QA	QK	W	T	U	KB1	QE	LT
LL	KB2	LL	KB2																						
184	57	230	103	98	21	45	12	145	110-0.035	4	165	130	9	M6	55	28-0.013	50	3	42	8-0.036	7	3	112	M8	25

## FEATURES

MODEL	R1AA13300FXR00M	
NOMINAL POWER	(W)	3000
NOMINAL SPEED	(rpm)	3000
MAXIMUM SPEED	(rpm)	6000
NOMINAL TORQUE	(Nm)	9.7
STALL TORQUE	(Nm)	9.7
MAXIMUM TORQUE	(Nm)	29
INERTIA	(Kg*m <sup>2</sup> )	7×10 <sup>-4</sup>
ENCODER	(imp./rev)	SINGLE TURN: 131072 imp/rev (17 bit) MULTI TURN: 65536 turns
PROTECTION DEGREE		IP65
WEIGHT	[version with brake] (Kg)	9.7 [11.8]

## TORQUE CURVE R1AA13300F [3kW] + RS3A10



R.T.A. s.r.l. PAVIA (ITALY) SANYO DENKI CO., Ltd (JAPAN)

WITHOUT BRAKE  
R1AA13300FXR00M



Indicated performances refer to motor controlled by related new RS3 standard and EtherCat amplifiers.

3Φ = torque curve with three-phase power supply

WITH BRAKE  
R1AA13300FCR00M



## Suggested amplifiers: RS3A10A0AA2, RS3A10A2HA4W00P



R.T.A. s.r.l.  
Via E. Mattei - Fraz- Divisa  
27020 Marcignago (PV) (Italy)  
T +39.0382.929.855  
F +39.0382.929.150  
www.rta.it

R.T.A. Deutschland GmbH  
Bublitzter Strasse 34, 40599  
Duesseldorf (Germany)  
T +49.211.749.668.60  
F +49.211.749.668.66  
www.rta-deutschland.de

R.T.A. IBERICA  
C/Generalitat 22, Local 1  
08850 Gava - Barcelona (Spain)  
T +34 936.388.805  
F +34 936.334.595  
www.rta-iberica.es

R.T.A. INDIA Pvt  
Teerth Business Center 3<sup>rd</sup> Floor, Unit No. 7,  
Block EL-15, MIDC Bhosari Pimpri-Chinchwd,  
Pune 411026 (India)  
Tel. +91 9422507445  
www.rta-india.in